



SONOS PLAYBAR

Product Guide

THIS DOCUMENT CONTAINS INFORMATION THAT IS SUBJECT TO CHANGE WITHOUT NOTICE.

No part of this publication may be reproduced or transmitted in any form or by any means, electronic or mechanical, including but not limited to photocopying, recording, information retrieval systems, or computer network without the written permission of Sonos, Inc.

SONOS and all other Sonos product names and slogans are trademarks or registered trademarks of Sonos, Inc. SONOS Reg. U.S. Pat. & Tm. Off.

Sonos products may be protected by one or more patents. Our patent-to-product information can be found here:

sonos.com/legal/patents

iPhone®, iPod®, iPad® and iTunes® are trademarks of Apple Inc., registered in the U.S. and other countries.

Windows® is a registered trademark of Microsoft Corporation in the United States and other countries.

Android® is a trademark of Google, Inc.

Manufactured under license from Dolby Laboratories. Dolby and the double-D symbol are trademarks of Dolby Laboratories.

Amazon, Kindle, Kindle Fire, the Amazon Kindle logo and the Kindle Fire logo are trademarks of Amazon.com, Inc. or its affiliates.

MPEG Layer-3 audio decoding technology licensed from Fraunhofer IIS and Thomson.

Sonos uses MSNTP software, which was developed by N.M. Maclaren at the University of Cambridge.

© Copyright, N.M. Maclaren, 1996, 1997, 2000; © Copyright, University of Cambridge, 1996, 1997, 2000.

All other products and services mentioned may be trademarks or service marks of their respective owners.

©2004-2013 by Sonos, Inc. All rights reserved.

SONOS PLAYBAR™

Flood any room with epic, full-theater HiFi sound and wirelessly stream all the music on earth through one easy-to-use player.

- **SONOS HiFi SOUND FOR YOUR TELEVISION.** The nine-speaker design of SONOS PLAYBAR floods any room with realistic audio for TV, games and movies.
- **EASY SETUP.** PLAYBAR connects to your TV using a single optical cable and plays everything that's connected to the TV, including cable boxes and game consoles.
- **FLEXIBLE DESIGN.** PLAYBAR can sit flat on your TV table or console. If your TV is wall-mounted, PLAYBAR may be placed horizontally above or below the TV.
- **UNIVERSAL AUDIO.** PLAYBAR is compatible with Dolby® Digital and stereo, so you never miss a moment of the action.

It takes just a few minutes to get your PLAYBAR up and running— turn to page 2 to get started. Once you've got it set up, you can add additional Sonos components any time.

Note: One Sonos component must be connected to your broadband router. If the PLAYBAR will not be located near your router, you can connect a SONOS BRIDGE™ or any Sonos player (purchased separately) to the router instead.

What's in the Box

- SONOS PLAYBAR
- Power Cord
- 5 ft. /1.5m TOSLINK Optical Audio Cable
- Ethernet Cable
- Quick Start Guide
- Important Product Information Booklet

What's Required

Television requirements

The PLAYBAR is compatible with any television that has an optical digital audio output.

Home network requirements

Your home network must meet the following requirements:

Note: Your network must have a high-speed Internet connection, as the Sonos system is designed to provide you with online software updates. Your Sonos system must be registered to receive these updates, so be sure to register during the setup process. We do not share your e-mail address with other companies.

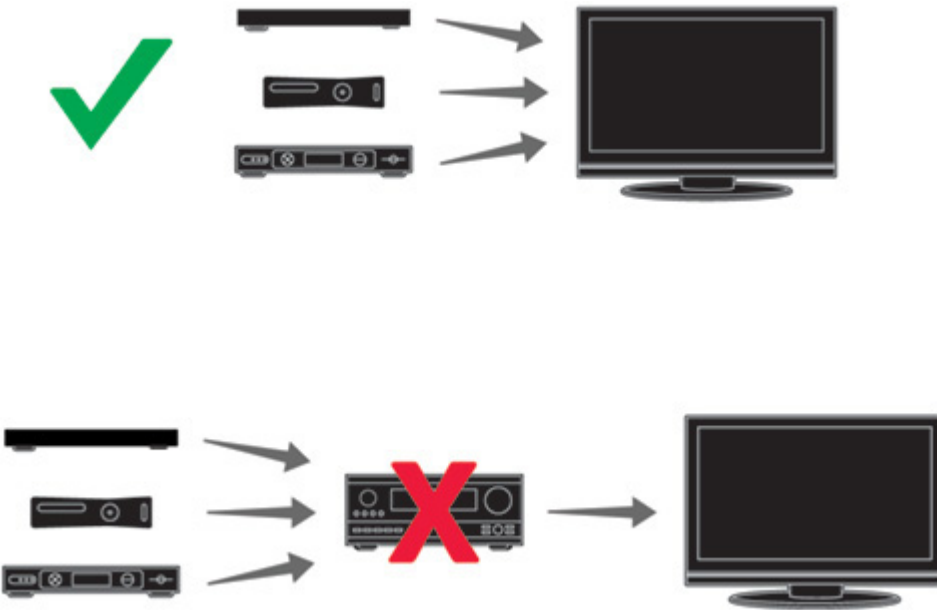
- If your modem is not a modem/router combination and you want to take advantage of Sonos' automatic online updates, or stream music from an Internet-based music service, **you must install a router in your home network.** If you do not have a router, purchase and install one before proceeding.
- If you are going to use a Sonos application on an Android™ smartphone, iPhone®, iPod Touch®, iPad® or other tablet, you may need a wireless router in your home network. Please visit our Web site at <http://faq.sonos.com/apps> for more information.
- High-speed DSL/Cable modem, or fiber-to-the-home broadband connection for proper playback of Internet-based music services. (If your Internet service provider only offers Satellite Internet access, you may experience playback issues due to fluctuating download rates.)
- Connect at least one Sonos component to your home network router using an Ethernet cable, and then you can add other Sonos components wirelessly.
- If you have a personal music library collection on a computer or NAS drive, for best results you should connect this device to your home network router using an Ethernet cable.

Note: For the latest system requirements, including supported operating system versions, please visit our Web site at <http://faq.sonos.com/specs>.

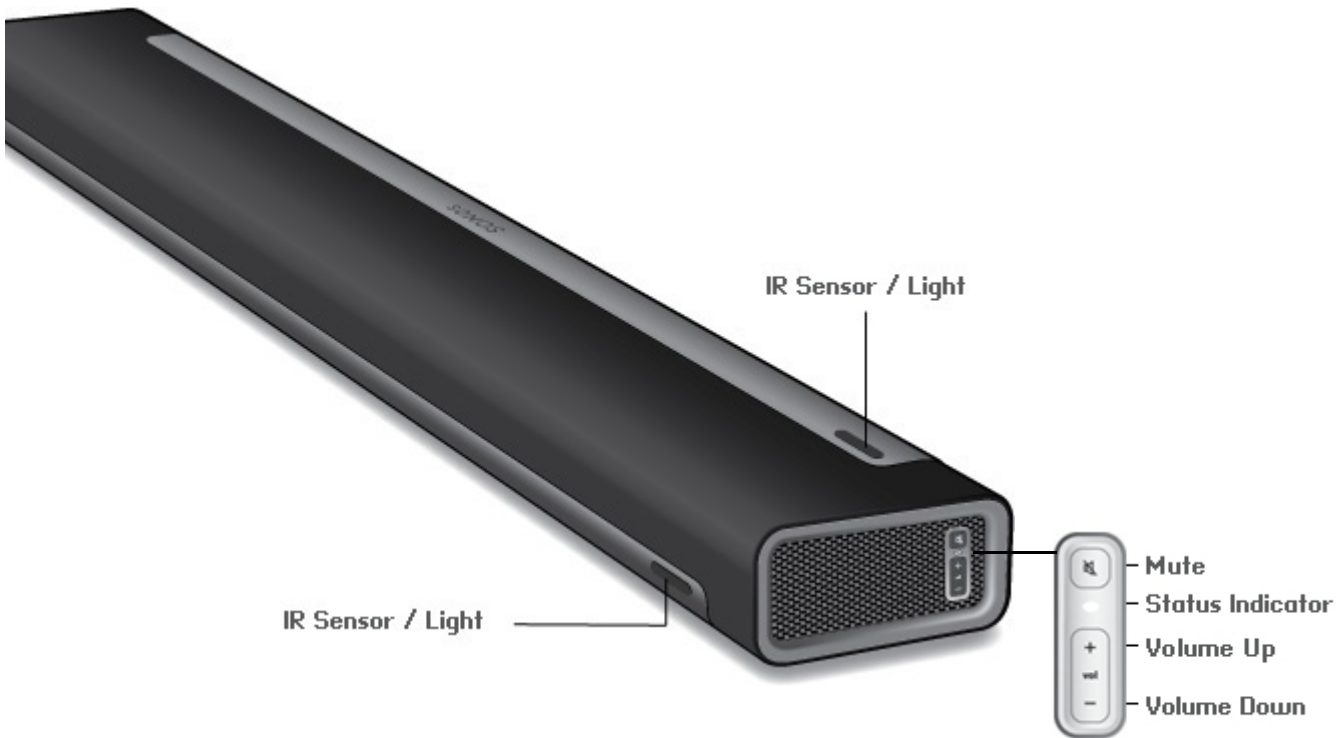
Before You Begin

Prior to installing the SONOS PLAYBAR, make sure all external components, such as your cable box, DVD player, etc. are connected directly to your TV.

If you have any existing home theater or surround sound equipment, disconnect it from your television.



PLAYBAR Front



Note: The grill cloth is not removable. Tampering with the cloth may damage your PLAYBAR.

Mute

Press the **Mute** button to mute or unmute the Sonos component.

Status Indicator Light

Indicates the status of the PLAYBAR.

When the PLAYBAR is in normal operation, the LED is white. If desired, you can adjust this setting so the white light does not display. See "White status light" on page 15 for more information.

For a complete list of status indications, see "Indicator Light Explanations" on page 28.

Volume Up (+)

Volume Down (-)

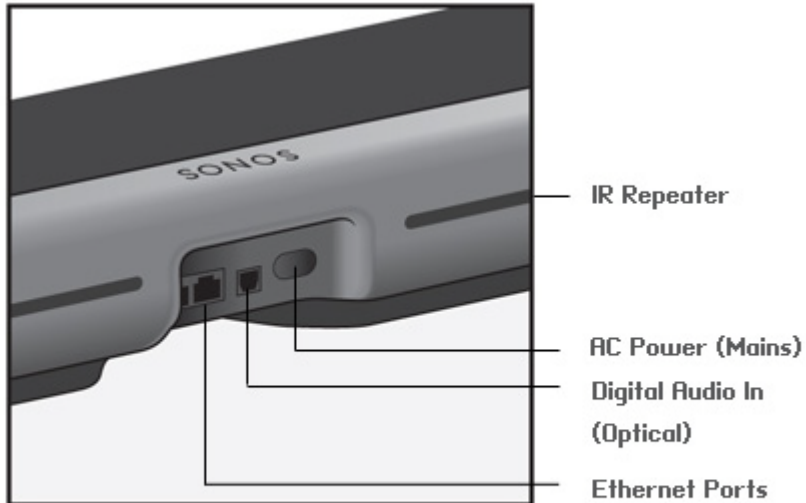
Press these buttons to adjust the volume up and down.

IR (InfraRed) Sensors / Signal Lights

The IR sensor receives the signals sent by a remote control.

When the PLAYBAR receives a volume or mute command, the IR signal light displays momentarily. If desired, you can adjust this setting so the light never displays. See "IR signal light" on page 14 for more information.

PLAYBAR Back



Ethernet Ports (2)

You can use an Ethernet cable to connect the PLAYBAR to your home network.

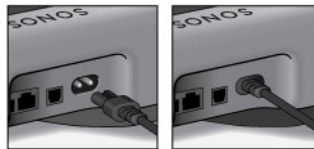
Digital Audio In (Optical)

Use an audio optical cable (supplied) to connect the SONOS PLAYBAR'S digital audio input to the optical digital output on your television. Take care not to bend or twist the cable.

The PLAYBAR's digital audio in and the optical cable are 'D-shaped'—be sure to align for proper insertion.

AC Power (Mains) Input

Use the supplied power cord to connect to a power outlet. Be sure to use the proper power adapter for your country. *Push the power cord firmly into the PLAYBAR until it is flush with the surface.*



IR Repeater

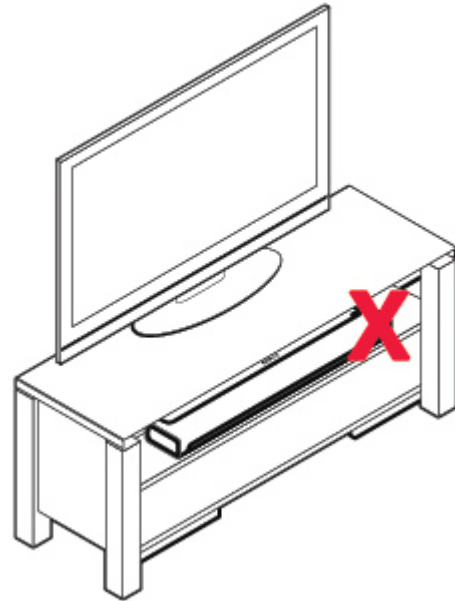
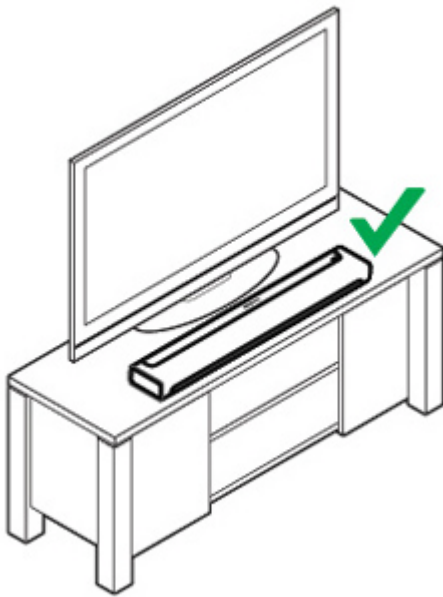
Allows the commands from your remote control to reach your TV if the PLAYBAR is positioned in front of the TV. This setting is on by default, but can be turned off. See "IR repeater" on page 15 for more information.

Selecting a Location

The PLAYBAR's flexible design allows for multiple orientations. You can wall mount it above or below your television or place it on a tabletop. See the guidelines below for more information.

Tabletop

- Lay the PLAYBAR horizontally and flat on its feet.
- Do not place vertically or upright on its side.
- To preserve audio quality, ensure the connector panel faces **toward** the TV—SONOS logo should be closer to your TV.
- There is no placement restriction between the TV and PLAYBAR as long as the television's IR is not blocked. The PLAYBAR IR repeater is designed for at least 2" (50mm) distance, but may work at a closer distance.
- Do not place the PLAYBAR in a cabinet or on a walled shelf. Both ends of the PLAYBAR should be at least 1 ft. (30cm) from a wall or other obstruction.



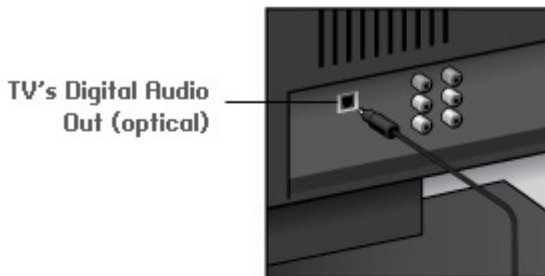
Wall mounting

The PLAYBAR can be mounted above or below your television using the PLAYBAR Wall Mount Kit (purchased separately). Please turn to page 21 for detailed wall-mounting instructions.

Setting Up the PLAYBAR

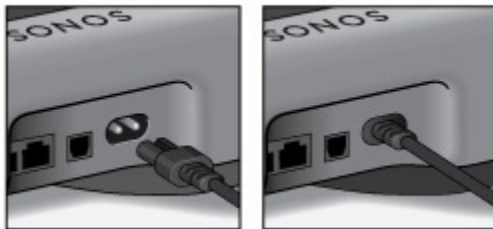
The PLAYBAR is compatible with Sonos software versions **4.0 and later**. If you are adding the PLAYBAR to an existing Sonos system, be sure to check for software updates before adding the PLAYBAR to your Sonos system.

1. Carefully unpack the package contents.
2. Choose a location for the PLAYBAR. Refer to "Selecting a Location" on page 6 for help with this step.
3. Remove the protective cap from each end of the optical audio cable.
4. Connect the optical audio cable (supplied) from your TV's digital audio **out** (optical) to the PLAYBAR's digital audio **in** (optical) being careful not to twist or bend the cable. *The PLAYBAR's digital audio in and the optical cable are 'D-shaped'—be sure to align for proper insertion.*

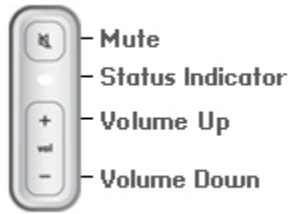


IMPORTANT: Be sure to remove the protective caps from each end of the supplied optical audio cable before inserting.

5. Attach the power adapter to the PLAYBAR and apply power. *Be sure to push the power cord firmly into the PLAYBAR until it is flush with the surface.*

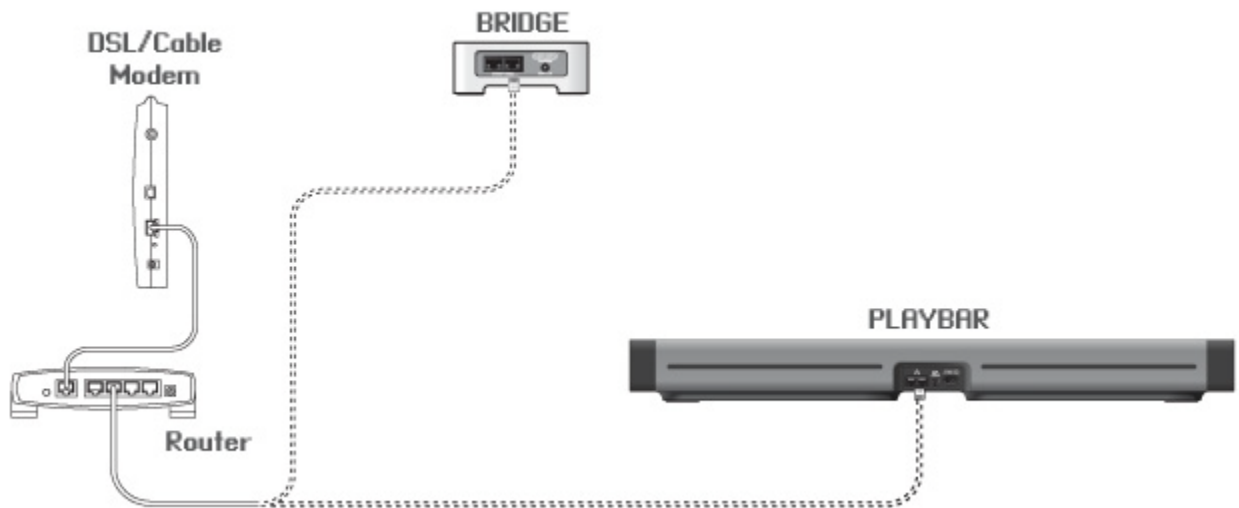


The status indicator light on the right side of the unit will begin to flash white.



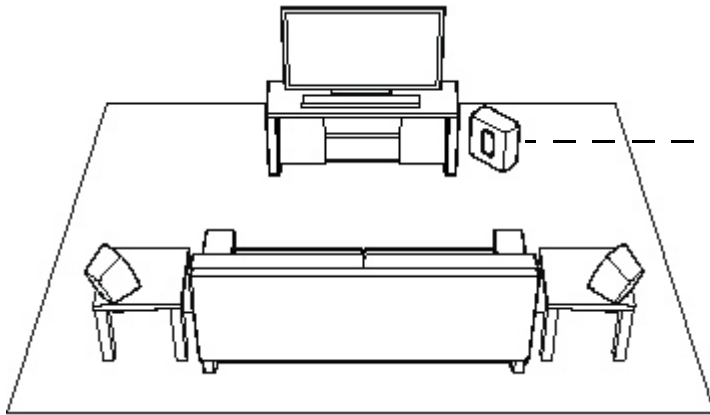
6. Choose one of the following options:

- If you are setting up a new Sonos system, connect **one** Sonos component to your router. If the PLAYBAR is not located near your router, you can connect a SONOS BRIDGE or any Sonos player (sold separately) to your router instead.
- If you already have a Sonos component connected to your router, skip this step and proceed to step 7.



7. The PLAYBAR can be paired with a SUB and two PLAY:3s to create a surround sound home theater experience (optional, purchased separately). If you purchased any of these items, position them in your room (see below) and then apply power.

- *You will be prompted to add these components to your Sonos system after the PLAYBAR is added (see step 8).*



If you purchased a SONOS SUB, place the SUB wherever it best fits your room—standing up or lying flat. You can place it in a corner, against the wall, behind, under, or next to any piece of furniture on any kind of floor surface.

If you purchased SONOS PLAY:3 surround speakers, place the speakers to the left and right of your main viewing position, level with or behind the main viewing position. They can be placed either horizontally or vertically, but make sure both speakers have the same orientation.

8. Using a handheld Sonos controller (including SONOS CONTROL, iPad®, iPhone®, iPod touch®, Android® smartphone or tablet, Kindle Fire™), follow the online prompts to set up your Sonos system.

If you don't have a Sonos controller app installed, download it from the application store on your device.

Note: Sonos does not recommend using the Sonos Controller for Mac or PC to set up your PLAYBAR.

If you are setting up a new Sonos system, when prompted, add your Sonos components in the following order:

- a. Add the Sonos component that's connected to your router.
- b. Add the PLAYBAR (if it is not the component connected to your router.)
- c. Add any additional Sonos components you purchased.

If you are adding to an existing Sonos system:

- a. First check for software updates—the PLAYBAR is compatible with Sonos software versions **4.0 and later**.
- b. Add the PLAYBAR to your Sonos system by selecting **Add a Sonos Component** from the **Settings** menu on a handheld controller.
- c. Add any additional Sonos components you purchased.

You may be prompted to update the new Sonos component(s) after you add them to your Sonos system.

If you'd like additional assistance:

- *If you need help turning off your TV speakers, see page 27 for more information.*
- *If you need help configuring a remote control to work with your PLAYBAR, see page 10 for more information.*
- *If a message appears on the TV whenever you adjust the volume up and down, it may be possible to eliminate it. If you are using a cable remote, see page 24. If you are using a universal remote, see page 26 for additional help.*
- *If you want to play music through the PLAYBAR, see page 20 for more information.*

PLAYBAR Settings

Follow the steps below if you wish to make changes to any PLAYBAR settings or the way the PLAYBAR works with your television.

- Remote Control Setup
- Equalization
- Recalibrating the Audio
- TV Dialog Settings
- Speech Enhancement
- Night Sound
- TV Autoplay
- IR Signal Light
- IR Repeater
- White Indicator Light
- Room Name
- Add SUB / Remove SUB (if SUB is present)
- Add / Remove Surround Speakers (if surround speakers are present)

Remote control setup

During PLAYBAR setup, you were guided through the process of configuring a remote control. If you did not configure one then, or wish to use a different remote control with your PLAYBAR, follow the steps below.

If you are configuring a new remote because a distracting message appears on the television whenever you adjust the volume, please go to "Eliminating annoying messages on your TV when using a cable, satellite, or set top box remote" on page 24, or "Eliminating annoying messages on your TV when using a universal remote" on page 26.

Using a handheld Sonos controller

1. Select **Room Settings** from the **Settings** menu.
2. Select the room your PLAYBAR is located in.
3. Select **TV Setup and Control** -> **Remote Control Setup**.
If a remote control is already configured for use with your PLAYBAR you will be asked if you want to replace it.
4. Pick up the remote control you wish to begin using with the PLAYBAR.
5. Point the remote at the PLAYBAR and press the **Volume Up** button on the remote control.
 - If the remote control is recognized, click **Done**. You can now use that remote to control the volume and mute settings on your PLAYBAR.
 - If the remote control is not recognized, you will be prompted to make additional button presses to complete the setup process.

Using the Sonos Controller for Mac or PC

1. Select **Manage** -> **Settings** (PC) or **Sonos** -> **Preferences** (Mac).
2. Select **Room Settings** if it is not already highlighted on the left.
3. Choose the room the PLAYBAR is located in from the **Room Settings for** drop-down.
4. Select the **TV Setup** tab.
5. Click **Remote Control Setup**.
6. Pick up the remote control you wish to begin using with the PLAYBAR, and then click **Next**.
7. Point the remote at the PLAYBAR and press the **Volume Up** button on the remote control.
 - If the remote control is recognized, click **Done**. You can now use that remote to control the volume and mute settings on your PLAYBAR.
 - If the remote control is not recognized, you will be prompted to make additional button presses to complete the setup process.

If a message appears on the television whenever you adjust the volume up and down, please see "Eliminating annoying messages on your TV when using a cable, satellite, or set top box remote" on page 24 or "Eliminating annoying messages on your TV when using a universal remote" on page 26.

Equalization (EQ)

During the PLAYBAR setup process you were guided through the audio calibration process. If desired, you can change the sound settings (bass, treble or loudness) for the SONOS PLAYBAR. *Bass* boosts lower frequencies, *treble* boosts higher frequencies, while *loudness* boosts certain frequencies, including bass, to improve the sound at low volume.

Any manual EQ changes you make will be reset whenever you go through the audio recalibration process (see page 12 for more information).

Using a handheld Sonos controller

1. From the **Settings** menu, select **Room Settings**.
2. Select the room you want to adjust.
3. Select **Equalization**.
4. Choose one of the following options:
 - Drag your finger across the bass or treble sliders to make adjustments.
 - Select **On** or **Off** to adjust the **Loudness** setting.

Using the Sonos Controller for Mac or PC



1. Select **Manage** -> **Settings** (PC) or **Sonos** -> **Preferences** (Mac).
2. Select **Room Settings** if it is not already highlighted on the left.
3. Choose the room the PLAYBAR is located in from the **Room Settings for** list, and then select the **EQ** tab.
4. Choose one of the following options:
 - Click and drag the bass or treble sliders to make adjustments.
 - Click the **Loudness** checkbox to turn the loudness setting on or off.
5. Close the **Settings** window when changes are complete.

Recalibrating the audio



If you have a SUB and/or Sonos surround speakers associated with your PLAYBAR, you may wish to make some adjustments after initial setup. You will likely wish to recalibrate the audio if you move any Sonos components in the room.

If you made any manual adjustments to EQ settings, these will be reset during the recalibration process.

Using a handheld Sonos controller

1. From the **Settings** menu, select **Room Settings**.
2. Select the room that is associated with the surround components. It appears as *Room (+SUB)* or *Room (+LS+RS)* or *Room (+SUB+LS+RS)* on the **Room Settings** menu.
3. Select **Advanced Audio** -> **Recalibrate Audio**.
4. Follow the prompts to optimize your audio performance.
 - If you have a SUB associated with your PLAYBAR, you will be asked to choose between 2 test sounds:
 - Press Play  to compare the volume of two test sounds, A and B, and then select **No Difference**, **A is louder** or **B is louder**. If you don't hear a noticeable difference, select **No Difference**.
 - Press Play  to listen to a test sound, and then select the level you prefer.
 - If you have surround speakers associated with your PLAYBAR, you will be asked to answer some room configuration questions.

Using the Sonos Controller for Mac or PC

1. Select **Manage** -> **Settings** (PC) or **Sonos** -> **Preferences** (Mac).
2. Select **Room Settings**.
3. Select the room that is associated with the surround components. It appears as *Room (+SUB)* or *Room (+LS+RS)* or *Room (+SUB+LS+RS)* on the **Room Settings** menu.
4. Select the **Basic** tab, and then select **Recalibrate Audio**.
5. Follow the prompts to optimize your audio performance:
 - If you have a SUB associated with your PLAYBAR, you will be asked to choose between 2 test sounds:
 - Press Play  to compare the volume of two test sounds, A and B, and then select **No Difference**, **A is louder** or **B is louder**. If you don't hear a noticeable difference, select **No Difference**.
 - Press Play  to listen to a test sound, and then select the level you prefer.
 - If you have surround speakers associated with your PLAYBAR, you will be asked to answer some room configuration questions.

TV dialog settings

Using a handheld Sonos controller

1. From the **Settings** menu, select **Room Settings**.
2. Select the room the PLAYBAR is located in.
3. Select **Advanced Audio** -> **TV Dialog Settings**.
4. **Audio Delay (Lip Sync)**. Drag your finger across the slider to increase or decrease the sound delay if the image and the sound are not in sync.

Using the Sonos Controller for Mac or PC

1. Select **Manage** -> **Settings** (PC) or **Sonos** -> **Preferences** (Mac).
2. Select **Room Settings** if it is not already highlighted on the left.
3. Choose the room the PLAYBAR is located in from the **Room Settings for** drop-down.
4. Select the **TV Dialog** tab.
5. Click and drag the **Audio Delay (Lip Sync)** slider to increase or decrease the sound delay if the image and the audio are not in sync.
6. Close the **Settings** window when changes are complete.

Additional TV sound options



Speech Enhancement

The **Speech Enhancement** setting makes the TV dialog easier to hear. Touch the icon on your Sonos controller's **Now Playing** screen to turn this setting on or off. (If the setting isn't visible, make sure the room with the PLAYBAR is selected.)



Night Sound

The **Night Sound** setting adjusts the audio for night time viewing so you can reduce the volume and still experience proper balance and range. At lower volumes, quiet sounds are enhanced and the intensity of loud sounds is reduced. Touch the icon on your Sonos controller's **Now Playing** screen to turn this setting on or off. (If the setting isn't visible, make sure the room with the PLAYBAR is selected.)

TV autoplay

When TV Autoplay is set to *On*, TV audio automatically plays through the PLAYBAR when you turn on your television—if music is playing when the TV is turned on, the music immediately stops and the PLAYBAR switches to TV audio. Additionally, if the PLAYBAR is in a room group when the TV is turned on, it automatically drops from the group. This setting is *On* by default.

Using a handheld Sonos controller

1. From the **Settings** menu, select **Room Settings**.
2. Select the room the PLAYBAR is located in.
3. Select **TV Setup and Control** -> **TV Autoplay**.
4. Select **On** or **Off**.

Using the Sonos Controller for Mac or PC

1. Select **Manage** -> **Settings** (PC) or **Sonos** -> **Preferences** (Mac).
2. Select **Room Settings** if it is not already highlighted on the left.
3. Choose the room the PLAYBAR is located in from the **Room Settings for** drop-down.
4. Select the **TV Setup** tab.
5. Check the **TV Autoplay** checkbox to turn this setting on, uncheck to turn it off.
6. Close the **Settings** window when changes are complete.

Ungroup on autoplay

As with any Sonos player, you can group and ungroup the PLAYBAR with other rooms. If *ungroup on autoplay* is checked, any Sonos rooms that are grouped with the PLAYBAR when the TV is turned on will automatically drop from the group. This setting is *Yes* by default.

Using a handheld Sonos controller

1. From the **Settings** menu, select **Room Settings**.
2. Select the room the PLAYBAR is located in.
3. Select **TV Setup and Control** -> **Ungroup on Autoplay**.
4. Select **Yes** or **No**.

Using the Sonos Controller for Mac or PC

1. Select **Manage** -> **Settings** (PC) or **Sonos** -> **Preferences** (Mac).
2. Select **Room Settings** if it is not already highlighted on the left.
3. Choose the room the PLAYBAR is located in from the **Room Settings for** drop-down.
4. Select the **TV Setup** tab.
5. Check the **Ungroup on Autoplay** checkbox to turn this setting on, uncheck to turn it off.
6. Close the **Settings** window when changes are complete.

IR signal light

A light displays on the PLAYBAR when an IR signal is being sent. If desired, you can adjust this setting so the IR light never displays. This setting is *On* by default.

Using a handheld Sonos controller

1. From the **Settings** menu, select **Room Settings**.
2. Select the room the PLAYBAR is located in.
3. Select **TV Setup and Control** -> **IR Signal Light**.
4. Select **On** or **Off**.

Using the Sonos Controller for Mac or PC

1. Select **Manage** -> **Settings** (PC) or **Sonos** -> **Preferences** (Mac).
2. Select **Room Settings** if it is not already highlighted on the left.
3. Choose the room the PLAYBAR is located in from the **Room Settings for** drop-down.
4. Select the **TV Setup** tab.
5. Check the **IR Signal Light** checkbox to turn this setting on, uncheck to turn it off.
6. Close the **Settings** window when changes are complete.

IR repeater

When the PLAYBAR is placed in front of your TV on a tabletop, it may block the IR sensor on your TV. The IR repeater setting allows the PLAYBAR to repeat the signal to your TV. This setting is *On* by default.

Using a handheld Sonos controller

1. From the **Settings** menu, select **Room Settings**.
2. Select the room the PLAYBAR is located in.
3. Select **TV Setup and Control** -> **IR Repeater**.
4. Select **On** or **Off**.

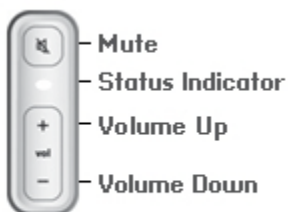
Using the Sonos Controller for Mac or PC

1. Select **Manage** -> **Settings** (PC) or **Sonos** -> **Preferences** (Mac).
2. Select **Room Settings** if it is not already highlighted on the left.
3. Choose the room the PLAYBAR is located in from the **Room Settings for** drop-down.
4. Select the **TV Setup** tab.
5. Check the **IR Repeater** checkbox to turn this setting on, uncheck to turn it off.
6. Close the **Settings** window when changes are complete.

White status light

A white light displays on the side of the PLAYBAR to indicate that the unit is functioning in normal operation. If desired, you can turn this indicator light off so that when the PLAYBAR is in normal operation the white light does not display. This setting is *On* by default.

If the Status indicator light begins to flash amber, see "Indicator Light Explanations" on page 28 for additional information.



Using a handheld Sonos controller

1. From the **Settings** menu, select **Room Settings**.
2. Select the room you want to change.
3. Select **White Status Light**.
4. Select **On** or **Off**.

Using the Sonos Controller for Mac or PC

1. Select **Manage** -> **Settings** (PC) or **Sonos** -> **Preferences** (Mac).
2. Select **Room Settings** if it is not already highlighted on the left.
3. Choose the room you want to change from the **Room Settings for** drop-down.
4. From the **Basic** tab, click the **White Status Light On** checkbox to turn the light on or uncheck to turn it off.

Changing room names

Using a handheld Sonos controller

1. From the **Settings** menu, select **Room Settings**.
2. Select the room you wish to change.
3. Select **Room Name**.
4. Select a new name from the list and touch **OK**, or select **Enter New** to type a unique name.

Using the Sonos Controller for Mac or PC

1. Select **Manage** -> **Settings** (PC) or **Sonos** -> **Preferences** (Mac).
2. Select **Room Settings** if it is not already highlighted on the left.
3. Choose the room you wish to change from the **Room Settings for** drop-down list.
4. Choose a new name from the **Room Name** list.

SONOS SUB

Adding a SONOS SUB

You can pair a SUB with the PLAYBAR to add to your cinematic experience.

Using a handheld Sonos controller

1. From the **Settings** menu, select **Room Settings**.
2. Select the room the PLAYBAR is located in.
3. Select **Add SUB**.
4. Follow the prompts to add the SUB to your Sonos system.

Using the Sonos Controller for Mac or PC

1. Select **Manage** -> **Settings** (PC) or **Sonos** -> **Preferences** (Mac).
2. Select **Room Settings** if it is not already highlighted on the left.
3. From the **Basic** tab, select **Add SUB**.
4. Follow the prompts to add the SUB to your Sonos system.

SUB settings

Follow the steps below if you wish to make any changes to the SUB settings.

Using a handheld Sonos controller

1. From the **Settings** menu, select **Room Settings**.
2. Select the room the PLAYBAR and SUB are located in. It appears as *Room (+SUB)* on the **Room Settings** menu.
3. Select **Advanced Audio** -> **SUB Settings**.
4. Choose one of the following:
 - **SUB**: Choose **On** or **Off** to turn the sound from the SUB on and off.
 - **SUB Level Adjustment**: Drag your finger across the slider to increase or decrease the volume of the SUB. (You can use this setting to match the subwoofer level to the level of your main speakers.)
 - **Placement Adjustment (phase)**: Select **On** or **Off**.

Using the Sonos Controller for Mac or PC

1. Select **Manage** -> **Settings** (PC) or **Sonos** -> **Preferences** (Mac).
2. Select **Room Settings** if it is not already highlighted on the left.
3. Choose the room the PLAYBAR and SUB are located in from the **Room Settings for** drop-down. It appears as *Room (+SUB)*.
4. Select the **SUB** tab.
5. Choose one of the following:
 - **SUB**: Check to turn the sound from the SUB on; uncheck to turn it off.
 - **SUB Level Adjustment**: Click and drag the slider to increase or decrease the volume of the SUB. (You can use this setting to match the subwoofer level to the level of your main speakers.)
 - **Placement Adjustment (phase)**: Check to turn on; uncheck to turn it off.

Removing a SUB

Using a handheld Sonos controller

1. From the **Settings** menu, select **Room Settings**.
2. Select the room the SUB is associated with. It appears as *Room (+SUB)* on the **Room Settings** menu.
3. Select **Remove SUB**.
4. Choose one of the following settings:
 - If you want to associate the SUB with a different Sonos player, select **Choose Room for SUB** and then select another room.
 - If you are not going to use the SUB right now, select **Don't use SUB**. It will appear on the **Rooms** menu as *SUB (unused)* until you select it and associate it with another Sonos player.

Using the Sonos Controller for Mac or PC

1. Select **Manage** -> **Settings** (PC) or **Sonos** -> **Preferences** (Mac).
2. Select **Room Settings** if it is not already highlighted on the left.
3. Choose the room the PLAYBAR is located in from the **Room Settings for** drop-down list.
4. From the **Basic** tab, click **Remove SUB**.

Surround Speakers

Adding surround speakers

You can easily add two SONOS PLAY:3 speakers to function as left and right surround channels in your Sonos surround sound experience. Follow the instructions below to add surround speakers—DO NOT create a room group or stereo pair as these will not achieve the left and right surround channel functionality.

Using a handheld Sonos controller

1. From the **Settings** menu, select **Room Settings**.
2. Select the room the PLAYBAR is located in.
3. Select **Add Surround Speakers**.
4. Follow the prompts to add first a left and then a right surround speaker.

Using the Sonos Controller for Mac or PC

1. Select **Manage** -> **Settings** (PC) or **Sonos** -> **Preferences** (Mac).
2. Select **Room Settings** if it is not already highlighted on the left.
3. From the **Basic** tab, select **Add Surround Speakers**.
4. Follow the prompts to add first a left and then a right surround speaker.

Surround settings

The default setting is determined by the calibration process. If you wish to make a change, you can follow the steps below.

Using a handheld Sonos controller

1. From the **Settings** menu, select **Room Settings**.
2. Select the room the PLAYBAR and surround speakers are located in. It appears as *Room (+LS+RS)* on the **Room Settings** menu.
3. Select **Advanced Audio** -> **Surround Settings**.
4. Choose one of the following:
 - **SURROUNDS**: Choose **On** or **Off** to turn the sound from the surround speakers on and off.
 - Drag your finger across the slider to increase or decrease the volume of the surround speakers.

Using the Sonos Controller for Mac or PC

1. Select **Manage** -> **Settings** (PC) or **Sonos** -> **Preferences** (Mac).
2. Select **Room Settings** if it is not already highlighted on the left.
3. Choose the room the PLAYBAR and surround speakers are located in from the **Room Settings for** drop-down.
4. Select the **Surrounds** tab.
5. Choose one of the following:
 - **SURROUND**s: Check to turn the sound from the surround speakers on; uncheck to turn it off.
 - Click and drag the slider to increase or decrease the volume of the surround speakers.
6. Close the **Settings** window when changes are complete.

Removing surround speakers

Using a handheld Sonos controller

1. From the **Settings** menu, select **Room Settings**.
2. Select the room the surround speakers are associated with. The room name appears as *Room (+LS+RS)* on the **Room Settings** menu.
3. Select **Remove Surround Speakers**.
4. Select **Next** to drop the surround sound speakers from your surround system. If these were newly purchased PLAY:3s they will appear as **Unused** on the **Rooms** menu. If these PLAY:3s existed in your household previously, they revert back to their previous state.

You can now move them to another room for individual use. If you want to add them back as surround speakers, see "Adding surround speakers" on page 18 for help.

Using the Sonos Controller for Mac or PC

1. Select **Manage** -> **Settings** (PC) or **Sonos** -> **Preferences** (Mac).
2. Select **Room Settings** if it is not already highlighted on the left.
3. Choose the room the PLAYBAR is located in from the **Room Settings for** drop-down list. The room name appears as *Room (+LS+RS)*.
4. From the **Basic** tab, click **Remove Surround Speakers**. If these were newly purchased PLAY:3s, they will appear as **Unused** in the **Rooms** pane. If these PLAY:3s existed in your household previously, they revert back to their previous state.

Playing Music

The PLAYBAR doubles as an all-in-one Sonos player that allows you to stream all the music on earth. Simply choose the room the PLAYBAR is located in and select a music source from the **Music** menu.



Radio. Select from over 100,000 free Internet radio stations, shows and podcasts.

To select an Internet radio station, select **Radio** and choose a station.



More Music. Select a music service.

Sonos is compatible with several music services - visit our Web site at www.sonos.com/music for the latest list. (Some music services may not be available in your country. Please check the individual music service's Web site for more information.)

- To add a music service using a handheld controller, touch **More Music** from the **Music** menu and select your music service.

- To add a music service using a Mac or PC, select **Service Settings** -> **Add** from the **Manage** menu and select your music service.

As soon as your user name and password are verified by the music service, it appears on your **Music** menu to give you instant access.

If there is a free music service trial visible, you can simply follow the prompts to activate it. After the trial period is up, you will need to subscribe to the music service to keep the music playing.



Music Library. Play music from your computer or any Network-Attached Storage (NAS) device.

If you have music stored on your computer, Sonos recommends you use the Sonos Controller for Mac or PC to add your music by selecting **Music Library Settings** from the **Manage** menu.

For more information, you can review the product guide for your controller at www.sonos.com/support.

For a full list of music choices, go to www.sonos.com/music.

Note: If TV Autoplay is set to *On*, the PLAYBAR automatically stops playing music and switches to TV audio whenever the TV is turned on. For more information, see "TV autoplay" on page 13.

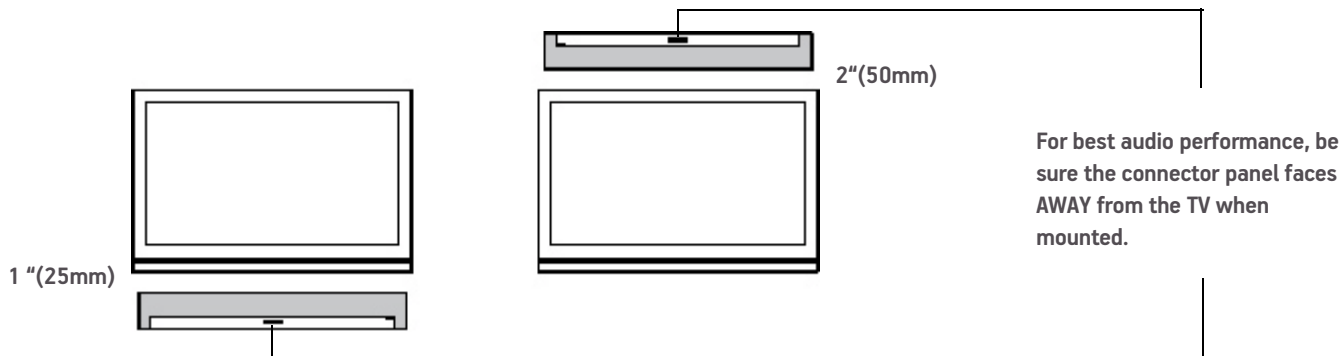
Wall Mounting

PLAYBAR can be wall mounted above or below your wall-mounted television using the PLAYBAR Wall Mount Kit. To preserve audio quality, ensure the connector panel faces away from the TV when mounted—the SONOS logo should be farther from your TV.

Note: It is recommended that you connect the power and audio cables to the PLAYBAR before mounting on the wall.

What you will need

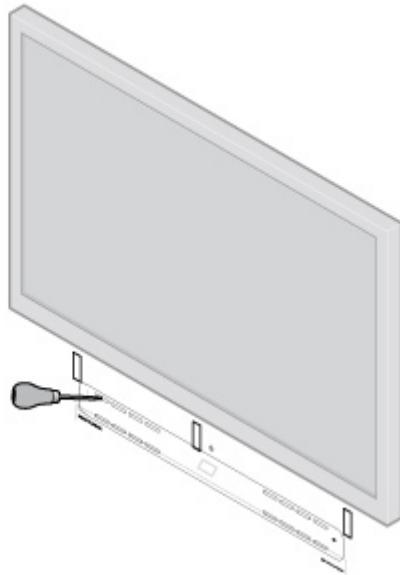
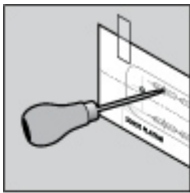
- PLAYBAR Wall Mount Kit (sold separately)
 - Masking tape
 - An awl or other pointed tool
 - A Phillips head screw driver
 - Power drill with Phillips head attachment
1. Hold the PLAYBAR wall mount template (included in the wall mount kit) in the desired position on your wall. The PLAYBAR can be mounted either above or below your television.



IMPORTANT: For optimal audio performance, Sonos recommends:
 When mounting **below** a television, allow 1 inch (25mm) clearance between the PLAYBAR and the TV.
 When mounting **above** a television, allow 2 inches (50mm) clearance between the PLAYBAR and the TV.

2. Use a level (included in wall mount kit) to ensure the template is horizontally level, and then tape the template securely to the wall.

- Use an awl or other sharp object to punch 4 small holes through 4 of the marked locations on the template. (If additional reinforcement is desired, 2 spare screws and anchors are included in the wall mount kit.) Placement may vary but holes should be located toward the corners, away from center.

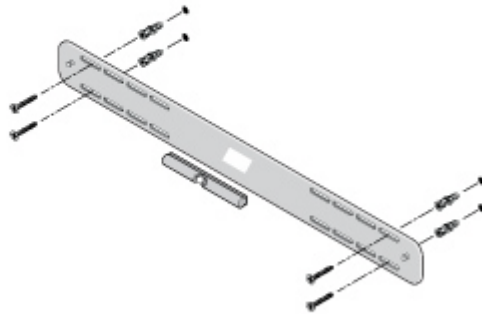


- Remove the template from the wall.
- Drill pilot holes.
Because the anchors and screws are designed to be self-starting, this step is optional. However pre-drilling will result in a more accurate installation. Refer to the table below for more information.

Wall Material	Pre Drill	Use Wall Anchors	Use Screws
Wood Stud	with 1/8" (3mm) bit	No	Yes
Drywall (no stud)	with 3/16" (4.5mm) bit	Yes	Yes
Hard wallboard or double board	with 3/16" (4.5mm) bit	Yes	Yes
Plaster	with 1/4" (6.5mm) bit	Yes	Yes
Concrete or Brick	with 1/8" (3mm) bit	Yes	Yes

- Insert and secure the wall anchors (supplied in the wall mount kit).
 - If you are drilling into wood stud, do not use the wall anchors.
 - If you are drilling into Sheetrock, screw the wall anchors into the drywall with a Phillips head screwdriver until the head is flat against or slightly below the wall surface, being careful not to overtighten.

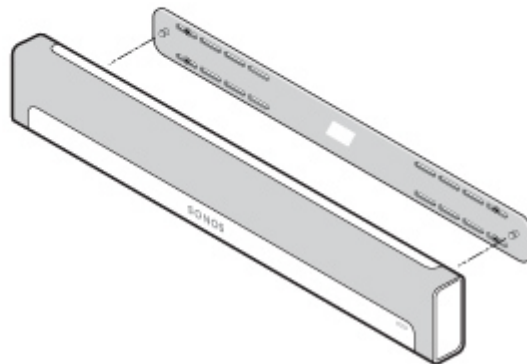
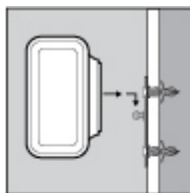
Note: The anchors can be installed using a screw gun or a regular power drill with a Phillips head screwdriver attachment. If you are drilling into sheetrock, the surface of the drywall may distort slightly or dimple as the anchor is installed. This is not unusual.



7. Fasten the PLAYBAR bracket to the wall using the screws supplied in the wall mount kit. Use the level to verify accuracy a final time, and then tighten the screws securely.

Note: If using wall anchors, continue to drill for a few seconds even after it appears the screw is secure— the anchor will likely spin a little as the anchor expands inside the wall.

8. Hang the PLAYBAR securely on the two (2) bracket pegs.



Basic Troubleshooting

Warning: Do not open the product as there is a risk of electric shock. Under no circumstances should the product be repaired by anyone other than an authorized Sonos repair center, as this will invalidate the warranty. Please contact Sonos Customer Support for more information.

The grill cloth is not removable. Tampering with the cloth may damage your PLAYBAR.

If a problem occurs, you can try the troubleshooting suggestions listed below. If one of these doesn't remedy the problem, or you are not sure how to proceed, please contact the Sonos Customer Support team and we'll be happy to help.

- **Customer Support**
 - **Web site:** Visit our Web site at www.sonos.com/support. There you can visit our Forums, browse our Frequently Asked Questions (FAQ) pages, or request assistance.
 - **Email:** support@sonos.com
 - You can also visit the Customer Support PLAYBAR Reference Center for more information at <http://moreinfo.sonos.com/PLAYBAR>.

PLAYBAR not detected during setup

- Did you allow Sonos to check for updates? *The SONOS PLAYBAR requires software version 4.0 or later.*
- Is the power cord properly seated? *Be sure to push the power cord firmly into the PLAYBAR until it is flush with the surface.*
- If either of these is not the problem, a network issue may be preventing the PLAYBAR from connecting to your Sonos system. *Try moving the Sonos components closer together.*

Eliminating annoying messages on your TV when using a cable, satellite, or set top box remote

After you disable your TV speakers, your television might display an annoying or confusing message when you adjust the volume on the PLAYBAR. This could be a message reminding you that your TV speakers are off, or a volume indicator unrelated to the sound from your PLAYBAR. If you have a programmable remote control, you can try the steps below. These steps will configure your remote control to send volume commands that are only recognized by the PLAYBAR so the message no longer appears when you increase or decrease the volume.

You will need to refer to the printed instructions that came with your remote control, or browse the on-screen help menu on your cable/satellite/set-top box as the specific details will vary. If you cannot locate the instructions for your remote, search the "Reference Links" on page 30. If your device or service provider is not listed there, please contact your cable service provider for additional help.

Identify an unused device key

Your remote control can likely control a variety of devices. The device keys are usually located at the top of the remote and labeled TV/Cable/CBL/STB/DVD/AUX. Identify a device key that is not currently being used (for example, the AUX key).

If your remote will not allow additional devices to be programmed, you might wish to purchase a universal remote to make it easier to control all your devices. Sonos recommends a Logitech® Harmony® universal remote. See page 26 for more information.

Program the unused device key

Programming the unused device key will add new volume commands to your remote control.

To perform this step you will need to refer to the printed instructions that came with your remote control or browse the on-screen help menu on your cable/satellite/set-top box as the specific details will vary by manufacturer. If you cannot locate the instructions, try searching the "Reference Links" on page 30 or contact your cable service provider for additional help.

- From the list of codes that can be programmed, select a SONOS code if it appears in the list.
- If SONOS does not appear in the list, select a code for any manufacturer brand **other than your TV or other devices** connected to the TV. For example if you own a Vizio TV and a Samsung Blu-ray player, choose a Panasonic code from the list.
- *DO NOT initiate an automated search for a code.*

Lock your remote control to the new volume commands

Locking volume control to the new device will ensure your remote always sends the new volume commands.

This feature is likely referred to as *volume lock* or *volume punch through* in the instructions that accompanied your remote control.

Configure your PLAYBAR to work with these new volume commands

See "Remote control setup" on page 10 for help with this step.

Verify that the problem is solved

If the problem persists, try repeating the steps above, choosing a different manufacturer brand when programming the unused device key.

Eliminating annoying messages on your TV *when using a universal remote*

After you disable your TV speakers, your television might display an annoying or confusing message whenever you adjust the volume on the PLAYBAR. This could be a message reminding you that your TV speakers are off, or a volume indicator unrelated to the sound from your PLAYBAR. Try the steps below to configure your universal remote so this message no longer appears when you increase or decrease the PLAYBAR's volume.

If you do not own a universal remote, Sonos recommends you purchase a Logitech® Harmony® remote.

If you are using a Logitech universal remote

If this remote is a new purchase, you will first need to set up a Logitech user account and install the Harmony Remote software. Then follow the steps below to add the PLAYBAR as a new device.

1. Use the USB cable provided by Logitech to connect your Harmony remote to your computer.

Note: If this remote is a new purchase, you will need to set up a Logitech user account and install the Harmony Remote software before proceeding.

2. Launch the Logitech Harmony Remote software or go to www.logitech.com/myharmony and login to your account. (Where you are directed depends on the Logitech universal remote model you purchased.)
3. Select the **Add Device** setting.
4. Choose one of the following options:
 - If you are using Logitech Harmony Remote software:
 - Select **SONOS** as the manufacturer, and enter **PLAYBAR** as the model name/number. If the SONOS PLAYBAR is not in their database, you will be asked to add it.
 - Confirm that you've entered the information correctly, and then save your changes.
 - If you are using My Harmony Web site:
 - Type **SONOS** as the manufacturer and **PLAYBAR** as the model name. If the SONOS PLAYBAR is not in their database, you will be asked to confirm your entry or make another choice.
 - Confirm that you've entered the information correctly, and then save your changes.

If you are using another universal remote

Please follow the instructions on page 24, "Eliminating annoying messages on your TV when using a cable, satellite, or set top box remote".

Turning Off Your Television's Speakers

During the setup process you are prompted to turn off your TV speakers so the sound comes only through the PLAYBAR. While Sonos cannot provide instructions for every television model, please try the steps below.

If you cannot find the correct setting to turn off your TV speakers, please consult the owner's guide that was packaged with your television.

1. Select the **Menu** or **Setup** button on your television's remote control (not your cable remote control).
An on-screen menu will appear.
2. Select the menu option that controls your television's **audio** functions.

Note: This menu selection is most often labeled **Audio, Sound, Tools, or Options** or may display as a musical note icon.

3. Select the appropriate setting to **turn off** your TV speakers. Depending on your TV make and model, choices may include:
 - *Off / On*
 - *External Speaker / Television Speaker*
 - *Audio System / Television Speaker*

The choice in **bold** will turn the TV speakers off.

- If none of these are applicable to your television, look for a setting that switches your TV output between variable and fixed and try switching the setting.

Can't turn off TV speakers

You should make every effort to turn off your TV's internal speakers. However some brands, including Toshiba and Dynex, may not include this setting. If you are unable to turn off the TV speakers, follow the steps below.

1. Using the volume control buttons on your television, turn the TV volume all the way down. Do not use the **Mute** button.
2. From this point forward use only the volume buttons on your Sonos controller to adjust the PLAYBAR's volume.

Indicator Light Explanations

PLAYBAR Status Indicator	State	Additional Information
Solid white	Powered up and associated with a Sonos system	
Solid green	Muted	
Flashing white	Powering up (booting)	
Flashing white and green	Not associated with a Sonos system	
Flashing amber	Warning mode	<p>The PLAYBAR is beginning to experience a fault condition and will reduce to 75% volume.</p> <ul style="list-style-type: none"> • Check the vent slot for adequate cooling • Check for speaker short circuit • Check the room temperature to make sure it's less than 104°F/ 40° C • If the PLAYBAR is in direct sunlight, provide shade <p>Mute and then unmute the Sonos component Unplug the PLAYBAR for several minutes to allow it to cool</p>
Flashing amber and then white	Fault mode	<p>If the fault condition (above) is not remedied, the Sonos component will automatically mute itself to prevent damage.</p>

Important Safety Information

Please read these instructions and heed all warnings. Keep them in a convenient location and make sure everyone in the household is aware of them.

Location

- Do not place the unit where it will be exposed to excessive heat (e.g., radiators, heat registers, stoves), direct sunlight, or a dusty environment (e.g., woodworking shop.)
- Do not place the unit where it will be exposed to flammable liquids and/or fumes.
- Do not place the unit in a small confined space (e.g., closet or cabinet, under a bed or sofa) where ventilation is restricted. Both ends of the PLAYBAR should be at least 1 ft. (30cm) from a wall or other obstruction.
- Protect the power cable from being walked on or pinched, particularly at plugs, convenience receptacles, and the point where it exits the product. The mains cord should be readily available to disconnect the power.
- The product should not be used near water—avoid close proximity to a bathtub, kitchen sink, laundry tub, wet basement, swimming pool, etc.
- If the unit is being wall-mounted, use the PLAYBAR Wall Mount Kit (purchased separately) and follow the instructions carefully. Improper or inadequate installation could cause your device to fall, resulting in personal injury.

Proper Ventilation

- Leave one inch of open space around the sides and above the unit to ensure proper ventilation.
- Ventilation should not be impeded by covering the ventilation openings with items such as tablecloths, curtains, or papers.
- Do not let foreign objects into the unit. If a foreign object should get into the unit, unplug the unit and contact Sonos for servicing guidance.

Usage

- Do not operate or handle the product with wet hands.
- Do not place any object on top of the product (e.g. vase, coffee cup, potted plant, books, magazines, etc.)
- Only use attachment/accessories specified by Sonos.
- Unplug the power cord during lightning storms or when unused for long periods of time.
- Never disassemble or modify the product in any way.
- If the PLAYBAR is wall-mounted, never hang from the PLAYBAR or the wall mount bracket.
- If the PLAYBAR is wall-mounted, perform safety checks on a regular basis to ensure screws remain tightened securely.

Cleaning & Maintenance

- Keep the PLAYBAR fabric free from dust, pet hair, and other fine particles.
- To clean the fabric, use a vacuum with a hose or non-moving bristle attachment. Do not vacuum with a rotating bristle attachment.

- A lint **brush** can be used to smooth out visible lines in the fabric. Do not clean fabric with a lint **roller**.
- Clean non-fabric portions of the PLAYBAR only with a dry, soft cloth. Household cleaners or solvents may damage the finish on your Sonos components.
- Do not use chemical solvents (e.g. alcohol, benzene, paint thinner) or other flammable cleaning liquids.
- Refer all servicing to Sonos qualified service personnel. Servicing is required when the unit or the power cord has been damaged in any way, if liquid or other foreign matter has fallen into the ventilation openings, or the unit has been exposed to rain or moisture.

Warning: To reduce the risk of fire or electric shock, do not expose this apparatus to rain or moisture.

Reference Links

If you need assistance with your television or one of the devices connected to your TV, you will find several user guides available online at <http://tv.manualsonline.com/>.

If you can't find what you are looking for, try one of the cable service provider links below to access additional help.

AT&T

www.att.com/esupport/

BRIGHT HOUSE NETWORKS

<http://support.brighthouse.com>

BT VISION

<http://www.bt.com/help/home>

CABLEVISION (OPTIMUM)

www.optimum.net/Support/Guides

CABLENET

<http://cablenet.com.cy/faqs/>

CHARTER

www.myaccount.charter.com/customers/support.aspx

COMCAST

<http://customer.comcast.com/help-and-support/cable-tv>

COX

www.cox.com/support/digitalcable/hdtv/

CYFROWY POLSAT

www.cyfrowypolsat.pl/

DIRECT TV

<http://support.directv.com/>

DISH NETWORK

www.mydish.com/support/manuals

KABEL DEUTSCHLAND

www.kabeldeutschland.de/info-service/

RCN

www.rcn.com/help

SKY DIGITAL

www.sky.com/helpcentre/

TIME WARNER CABLE

www.timewarnercable.com/support/

VERIZON

www22.verizon.com/Support/Residential/tv.htm

VIRGIN MEDIA

<http://help.virginmedia.com/system>